

FEATURES

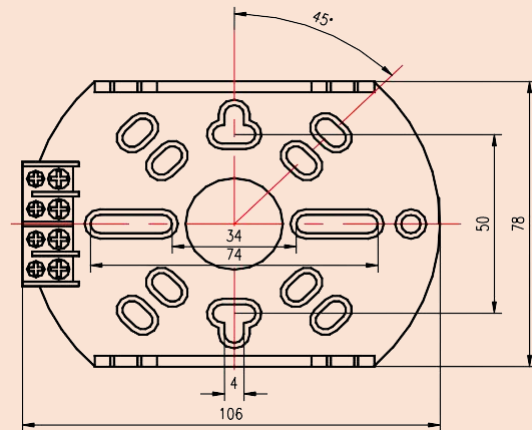
- * **Low power consumption**
- * **Easily accessible wiring terminal block**
- * **Highly compatible with conventional products**
- * **Wall-mount or standard mounting box installation**



DESCRIPTION

VG-6741 Conventional Alarm Bell is an essential sounder alarming device, which takes low power consumption but reach the maximum performance. This product is special designed for easy installation that it is suitable either for wall-mount or any standard mounting box. It also comes with wiring terminal blocks which makes it easy to be connected.

DIMENSION



TECHNICAL DATA

Operating Voltage	24VDC
Alarm Current	≤20mA
Alarm Volume	≥95dB
Temperature	0°C ~ 50°C
Humidity	≤95%RH (40±2°C)
Dimension	Diameter 152mm
Appearance Color	Red